



## **SUBMITTAL**

### **Project**

RTU Submittals 460V

### **Date**

Thursday, July 17, 2025

**3T 460V R454B**

**Tag Cover Sheet  
Unit Report  
Certified Drawing  
Performance Report  
Unit Feature Sheet  
Spec Sheet**

## Unit Report For 3T 460V R454B

Project: RTU Submittals 460V  
Prepared By:

07/17/2025  
02:33PM

### Unit Parameters

Unit Model:.....**48FEEA04A3A6-0A0A0**  
 Unit Size:.....**04 (3 Tons)**  
 Volts-Phase-Hertz:.....**460-3-60**  
 Heating Type:.....**Gas**  
 Refrigerant:.....**R-454B**  
 Heat Control:.....**Medium Heat**  
 Duct Cfg:.....**Vertical Supply / Vertical Return**  
 DX Options:**Standard One Stage Cooling Models (04-06)**

### Dimensions (ft. in.) & Weight (lb.) \*\*\*

Unit Length:.....**6' 2.375"**  
 Unit Width:.....**3' 10.625"**  
 Unit Height:.....**2' 9.375"**  
**Total Operating Weight:.....539 lb**

\*\*\* Weights and Dimensions are approximate. Weight does not include unit packaging. Approximate dimensions are provided primarily for shipping purposes. For exact dimensions and weights, refer to appropriate product data catalog.

### Lines and Filters

Gas Line Size:.....**1/2**  
 Condensate Drain Line Size:.....**3/4**  
 Return Air Filter Type:.....**Throwaway**  
 Return Air Filter Quantity:.....**2**  
 Return Air Filter Size:.....**16 x 25 x 2**

**Selection includes construction throwaway filter into the base fan curve.**

### Unit Configuration

Medium Heat  
 High Static - EcoBlue Vane Axial Fan  
 Al/Cu - Al/Cu  
 Standard Electromechanical Controls (can be used with field installed economizers and dampers)  
 Standard Packaging

### Warranty Information

1-Year parts(std.)  
 5-Year compressor parts(std.)  
 10-Year heat exchanger - Aluminized(std.)

No optional warranties were selected.

**NOTE: Please see Warranty Catalog 500-089 for explanation of policies and ordering methods.**

### Ordering Information

Part Number	Description	Quantity
48FEEA04A3A6-0A0A0	Rooftop Unit	1
	Base Unit	
	Medium Heat	
	High Static - EcoBlue Vane Axial Fan	
	None	

# Certified Drawing for 3T 460V R454B

Project: RTU Submittals 460V  
Prepared By:

07/17/2025  
02:33PM

**NOTES:**

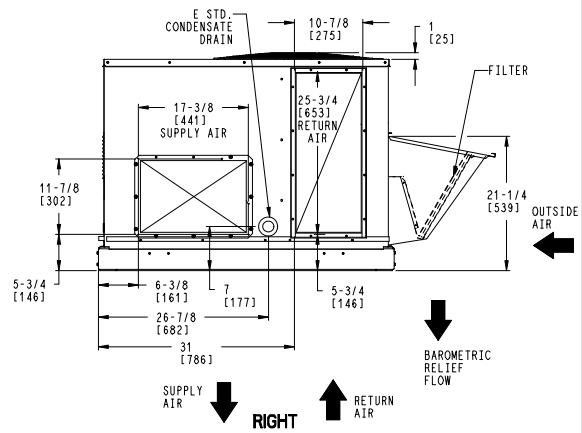
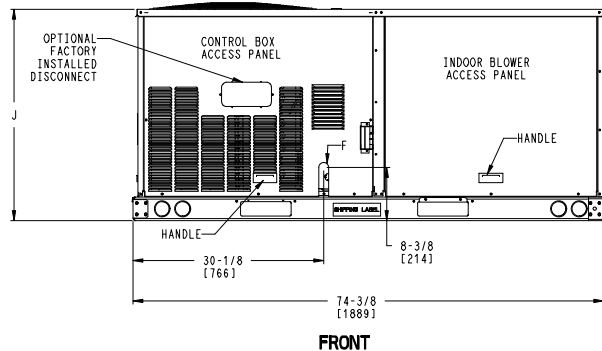
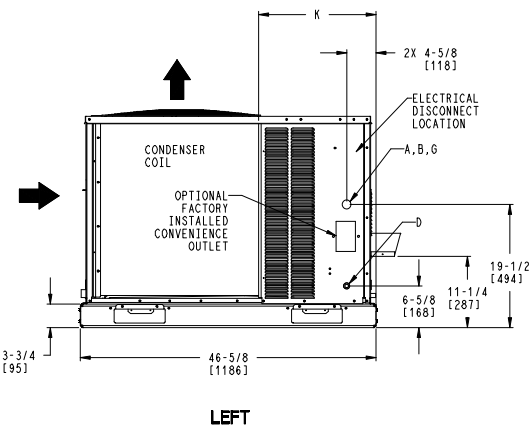
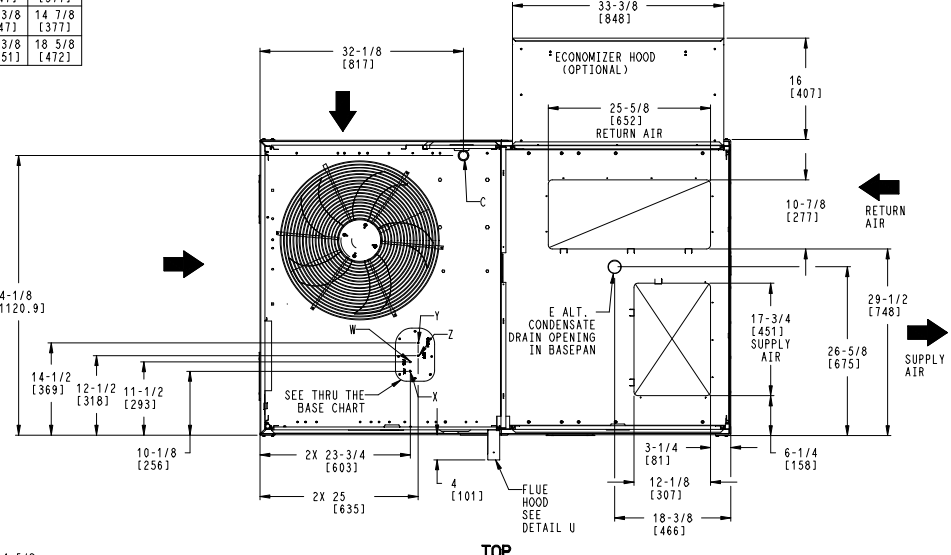
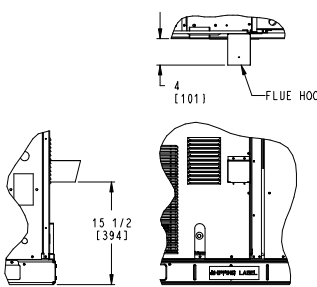
1. DIMENSIONS ARE IN INCHES, DIMENSIONS IN [ ] ARE IN MILLIMETERS.
2. CENTER OF GRAVITY
3. DIRECTION OF AIR FLOW
4. ALL VIEW DRAWN USING 3RD ANGLE

UNIT	J	K
48FE**04	33 3/8 [847]	18 5/8 [472]
48FE**05	33 3/8 [847]	14 7/8 [377]
48FE**06	33 3/8 [847]	14 7/8 [377]
48FE**07	41 3/8 [1051]	18 5/8 [472]

THIS DOCUMENT IS THE PROPERTY OF CARRIER CORPORATION AND IS DELIVERED UPON THE EXPRESS CONDITION THAT THE CONTENTS WILL NOT BE DISCLOSED OR USED WITHOUT CARRIER CORPORATION'S WRITTEN CONSENT. SUBMISSION OF THESE DRAWINGS OR DOCUMENTS DOES NOT CONSTITUTE PART PERFORMANCE OR ACCEPTANCE OF CONTRACT.

CONNECTION SIZES	
A	1 3/8" [35] DIA FIELD POWER SUPPLY HOLE
B	2" [50] DIA POWER SUPPLY KNOCKOUT
C	1 3/4" [51] DIA GAUGE ACCESS PLUG
D	7/8" [22] DIA FIELD CONTROL WIRING HOLE
E	3/4"-14 NPT CONDENSATE DRAIN
F	1/2"-14 NPT GAS CONNECTION
G	2 1/2" [64] DIA POWER SUPPLY KNOCK-OUT

THRU-THE-BASE CHART THESE HOLES REQUIRED FOR USE CRBTMPR008A00, 009A00			
	THREADED CONDUIT SIZE	WIRE USE	REQ'D HOLE SIZES (MAX.)
W	1/2"	115V	7/8" [22.2]
X	1/2"	24V	7/8" [22.2]
Y	3/4"	POWER	1-1/8" [28.6]
Z*	009A00 1/2" FPT	GAS	1-1/8" [28.6]
FOR "THRU-THE-BASEPAN" FACTORY OPTION, FITTINGS FOR ONLY X, Y, & Z ARE PROVIDED			
* 1008A00 PROVIDES 3/4" FPT THRU CURB FLANGE & FITTING.			



ITC CLASSIFICATION	SHEET	DATE	SUPERCEDES	DESCRIPTION	PROJECT	REV
U.S. ECCN:NSR	1 OF 3	11/17/23	-	48FE 04-07 SINGLE PACKAGE ELECTRICAL COOLING WITH GAS HEAT	48TC006964	-

# Certified Drawing for 3T 460V R454B

Project: RTU Submittals 460V  
Prepared By:

07/17/2025  
02:33PM

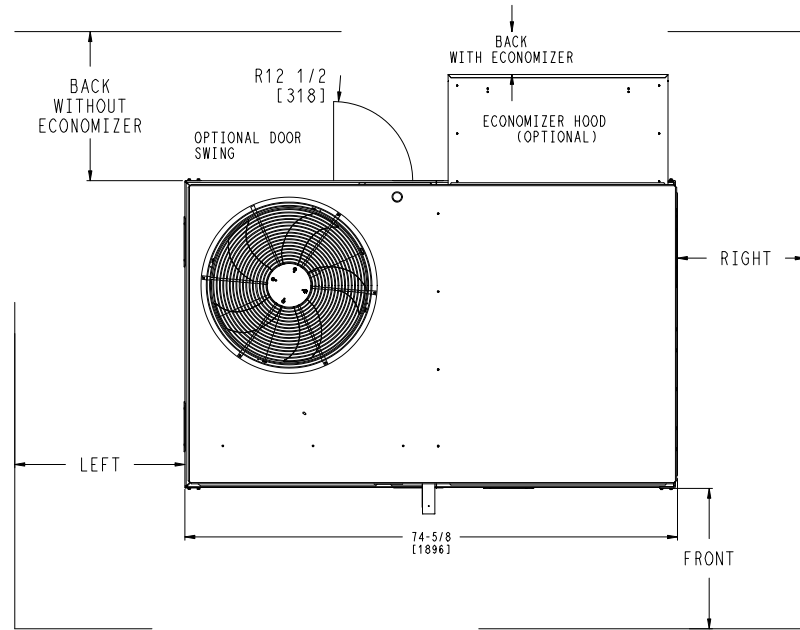
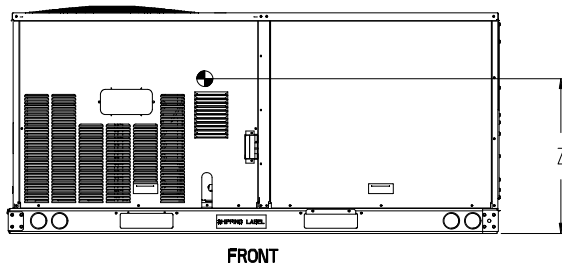
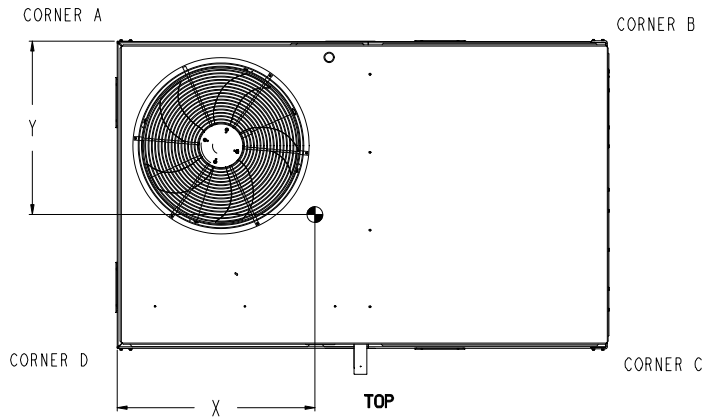
UNIT	STD. UNIT WEIGHT *		CORNER WEIGHT (A)		CORNER WEIGHT (B)		CORNER WEIGHT (C)		CORNER WEIGHT (D)		C.G.			HEIGHT
	LBS.	KG.	LBS.	KG.	LBS.	KG.	LBS.	KG.	LBS.	KG.	X	Y	Z	
48FE**04	482	219	113	51	116	53	128	58	125	57	37 5/8 [956]	24 9/16 [624]	18 1/4 [464]	[464]
48FE**05	543	246	138	63	133	60	133	60	138	63	36 1/2 [927]	23 3/8 [594]	18	[457]
48FE**06	556	252	142	64	136	62	136	62	142	64	36 1/2 [927]	23 3/8 [594]	18	[457]
48FE**07	607	275	162	73	152	69	141	64	151	68	36 [914]	22 1/2 [572]	19 3/8 [492]	

\* STANDARD UNIT WEIGHT IS WITH LOW GAS HEAT AND WITHOUT PACKAGING.  
FOR OTHER OPTIONS AND ACCESSORIES, REFER TO THE PRODUCT DATA CATALOG.

THIS TABLE IS FOR "ULTRA LOW NOX" UNITS ONLY

UNIT	STD. UNIT WEIGHT**		CORNER WEIGHT (A)		CORNER WEIGHT (B)		CORNER WEIGHT (C)		CORNER WEIGHT (D)		C.G.			HEIGHT
	LBS.	KG.	LBS.	KG.	LBS.	KG.	LBS.	KG.	LBS.	KG.	X	Y	Z	
48FEG*04	512	233	120	55	122	55	136	62	134	61	37 1/2 [953]	24 11/16 [627]	18 1/8 [460]	[460]
48FEG*05	573	260	146	66	139	63	141	64	147	67	36 3/8 [924]	23 1/2 [597]	18	[457]
48FEG*06	586	266	149	68	143	65	144	65	151	69	36 3/8 [924]	23 1/2 [597]	18	[457]

\*\* STANDARD UNIT WEIGHT IS WITH WITHOUT PACKAGING.  
FOR OTHER OPTIONS AND ACCESSORIES, REFER TO THE PRODUCT DATA CATALOG.



**Carrier** THIS DOCUMENT IS THE PROPERTY OF CARRIER CORPORATION AND IS DELIVERED UPON THE EXPRESS CONDITION THAT THE CONTENTS WILL NOT BE DISCLOSED OR USED WITHOUT CARRIER CORPORATION'S WRITTEN CONSENT. SUBMISSION OF THESE DRAWINGS OR DOCUMENTS DOES NOT CONSTITUTE PART PERFORMANCE OR ACCEPTANCE OF CONTRACT.

**NOTES:**

1. FOR ALL MINIMUM CLEARANCES LOCAL CODES OR JURISDICTIONS MAY PREVAIL.

SURFACE	CLEARANCE		OPERATING CLEARANCE
	SERVICE WITH CONDUCTIVE BARRIER	SERVICE WITH NONCONDUCTIVE BARRIER	
FRONT	48 [1219mm]	36 [914mm]	18 [457mm]
LEFT	48 [1219mm]	42 [1067mm]	18 [457mm]
BACK W/O HOOD	48 [1219mm]	42 [1067mm]	18 [457mm]
BACK W/HOOD	36 [914mm]	36 [914mm]	18 [457mm]
RIGHT	36 [914mm]	36 [914mm]	18 [457mm]
TOP	72 [1829mm]	72 [1829mm]	72 [1829mm]

ITC CLASSIFICATION U.S. ECCN:NSR	SHEET 2 OF 3	DATE 11/17/23	SUPERCEDES -	48FE 04-07 SINGLE PACKAGE ELECTRICAL COOLING WITH GAS HEAT	48TC006964	REV -
-------------------------------------	-----------------	------------------	-----------------	--	------------	----------

# Performance Summary For 3T 460V R454B

Project: RTU Submittals 460V  
Prepared By:

07/17/2025  
02:33PM

## Part Number:48FEEA04A3A6-0A0A0

Refrigerant:..... **R-454B**  
ARI SEER:..... **14.00**  
ARI SEER2:..... **13.40**

### Base Unit Dimensions

Unit Length:..... **74.4** in  
Unit Width:..... **46.6** in  
Unit Height:..... **33.4** in

### Operating Weight

Base Unit Weight:..... **482** lb  
Medium Heat:..... **57** lb  
  
Total Operating Weight:..... **539** lb

### Unit

Unit Voltage-Phase-Hertz:..... **460-3-60**  
Air Discharge:..... **Vertical**  
Fan Drive Type:..... **Vane Axial**  
Actual Airflow:..... **1200** CFM  
Site Altitude:..... **0** ft

### Cooling Performance

Condenser Entering Air DB:..... **95.0** F  
Evaporator Entering Air DB:..... **80.0** F  
Evaporator Entering Air WB:..... **67.0** F  
Entering Air Enthalpy:..... **31.44** BTU/lb  
Evaporator Leaving Air DB:..... **60.3** F  
Evaporator Leaving Air WB:..... **57.6** F  
Evaporator Leaving Air Enthalpy:..... **24.77** BTU/lb  
Gross Cooling Capacity:..... **36.02** MBH  
Gross Sensible Capacity:..... **25.50** MBH  
Compressor Power Input:..... **2.46** kW  
Coil Bypass Factor:..... **0.196**

### Heating Performance

Heating Airflow:..... **1200** CFM  
Entering Air Temp:..... **70.0** F  
Leaving Air Temp:..... **137.9** F  
Gas Heating Input Capacity:..... **82.0 / 110.0** MBH  
Gas Heating Output Capacity:..... **65.0 / 88.0** MBH  
Temperature Rise:..... **67.9** F  
Thermal Efficiency (%):..... **80.0**

### Supply Fan

External Static Pressure:..... **0.80** in wg  
Fan RPM:..... **1820**  
Fan Power:..... **0.44** BHP  
NOTE:..... **Selected IFM RPM Range: 1112 - 2490**

**Selection includes construction throwaway filter into the base fan curve. This filter is not MERV Rated.**

### Electrical Data

Voltage Range:..... **414 - 506**  
Compressor #1 RLA:..... **5.8**  
Compressor #1 LRA:..... **44**  
Indoor Fan Motor Type:..... **HIGH**  
Indoor Fan Motor FLA (Total):..... **1.7**  
Combustion Fan Motor FLA (ea):..... **0.25**

# Performance Summary For 3T 460V R454B

Project: RTU Submittals 460V  
Prepared By:

07/17/2025  
02:33PM

Power Supply MCA:.....	<b>10</b>
Power Supply MOCP (Fuse or HACR):.....	<b>15</b>
Disconnect Size FLA:.....	<b>10</b>
Disconnect Size LRA:.....	<b>48</b>
Electrical Convenience Outlet:.....	<b>None</b>
Outdoor Fan [Qty / FLA (ea)]:.....	<b>1 / 0.8</b>

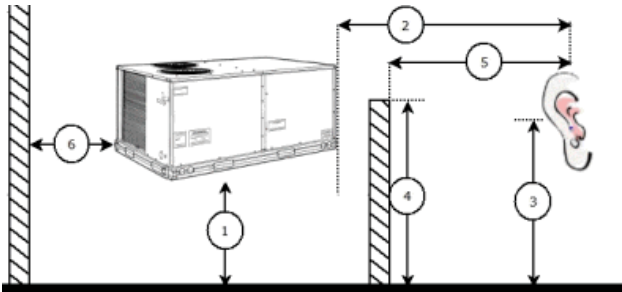
**Control Panel SCCR: 5kA RMS at Rated Symmetrical Voltage**

**Acoustics**

Sound Power Levels, db re 10E-12 Watts

	Discharge	Inlet	Outdoor
63 Hz	90.9	84.8	85.6
125 Hz	82.4	77.5	84.7
250 Hz	74.7	68.6	80.5
500 Hz	67.5	61.1	76.0
1000 Hz	64.8	62.3	72.4
2000 Hz	61.6	54.0	68.0
4000 Hz	57.9	48.2	62.8
8000 Hz	56.5	42.3	59.3
A-Weighted	73.0	67.7	79.0

**Advanced Acoustics**



**Advanced Acoustics Parameters**

- 1. Unit height above ground:.....**30.0** ft
- 2. Horizontal distance from unit to receiver:.....**50.0** ft
- 3. Receiver height above ground:.....**5.7** ft
- 4. Height of obstruction:.....**0.0** ft
- 5. Horizontal distance from obstruction to receiver:.....**0.0** ft
- 6. Horizontal distance from unit to obstruction:.....**0.0** ft

**Detailed Acoustics Information**

Octave Band Center Freq. Hz	63	125	250	500	1k	2k	4k	8k	Overall
A	85.6	84.7	80.5	76.0	72.4	68.0	62.8	59.3	89.2 Lw
B	59.4	68.6	71.9	72.8	72.4	69.2	63.8	58.2	78.5 LwA
C	53.2	52.3	48.1	43.6	40.0	35.6	30.4	26.9	56.8 Lp
D	27.0	36.2	39.5	40.4	40.0	36.8	31.4	25.8	46.1 LpA

**Legend**

A Sound Power Levels at Unit's Acoustic Center, Lw

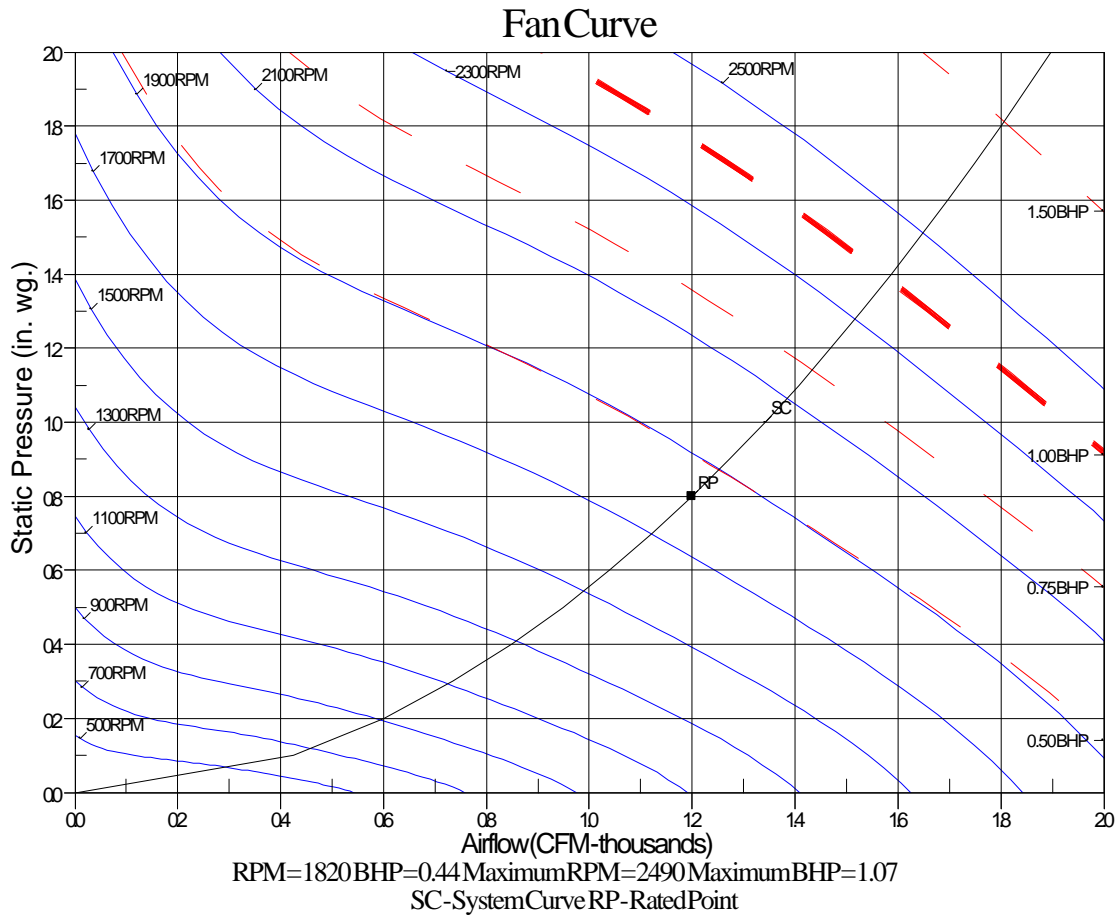
# Performance Summary For 3T 460V R454B

Project: RTU Submittals 460V  
Prepared By:

07/17/2025  
02:33PM

- B A-Weighted Sound Power Levels at Unit's Acoustic Center, LwA
- C Sound Pressure Levels at Specific Distance from Unit, Lp
- D A-Weighted Sound Pressure Levels at Specific Distance from Unit, LpA

Calculation methods used in this program are patterned after the ASHRAE Guide; other ASHRAE Publications and the AHRI Acoustical Standards. While a very significant effort has been made to insure the technical accuracy of this program, it is assumed that the user is knowledgeable in the art of system sound estimation and is aware of the tolerances involved in real world acoustical estimation. This program makes certain assumptions as to the dominant sound sources and sound paths which may not always be appropriate to the real system being estimated. Because of this, no assurances can be offered that this software will always generate an accurate sound prediction from user supplied input data. If in doubt about the estimation of expected sound levels in a space, an Acoustical Engineer or a person with sound prediction expertise should be consulted.



# Unit Feature Sheet for 3T 460V R454B

Project: RTU Submittals 460V  
Prepared By:

07/17/2025  
02:33PM



## PURON ADVANCE™ PACKAGED ROOFTOP GAS HEATING/ELECTRIC COOLING UNITS 3, 4, 5 TONS – 13.4 SEER2, 6 TON – 15.5 IEER

48FE units are single-packaged electric cooling, gas heating rooftops. All units are prewired and pre-charged with Carrier's new, low global warming potential Puron Advance™ (R-454B) refrigerant. Puron Advance represents a 75% reduction in refrigerant GWP over legacy Puron™ (R-410A) models. All units are factory tested in both heating and cooling modes. 3–5-ton models use single stage cooling capacity control. 6-ton model uses two stage cooling capacity control.



Use of the AHRI Certified TM Mark indicates a manufacturer's participation in the program. For verification of certification for individual products, go to [www.ahriindustry.org](http://www.ahriindustry.org).



### PERFORMANCE FEATURES

- Puron Advance (R-454B) refrigerant
- Single-stage cooling capacity 04-06 models, Two Stage on 07 models
- SEER2s up to 13.4
- IEERs up to 15.5
- New - A2L leak detection and dissipation system factory installed standard
- Leak system ensures unit and occupant safety during operation and includes an alarm relay for optional use
- Onboard recallable leak detection history for easier troubleshooting and service
- Direct Drive – EcoBlue™ Technology Indoor fan system uses Vane Axial fan design and electronically commutated motor
- New Unit Control Board with intuitive quick fan speed adjustment
- Sound levels as low as 79 dB
- Exclusive non-corrosive composite condensate pans in accordance with ASHRAE 62 Standard, sloping design; side or center drain
- AFUE Gas efficiencies up to 81%
- Induced draft combustion design
- Redundant gas valve, with up to 2 stages of heating
- Pre-painted exterior panels and primer-coated interior panels tested to 500 hours salt spray protection
- Acutrol™ refrigerant metering system on 04-06 models, TXV on 07 size models
- Exclusive IGC solid-state control for on-board diagnostics with LED error code designation, burner control logic and energy saving indoor fan motor delay

### PERFORMANCE FEATURES (continued)

- Dedicated 3-5 ton "Low NOx and Ultra Low NOx" models available that meet California Air Quality Management NOx requirement. Models of 40 nanogram/joule and 14 nanogram/joule are available. Both Low NOx models include stainless steel heat exchangers
- Standard cooling operating range up to 115°F (46°C), and down to 40°F (4°C). Low Ambient allows cooling operation down to -20°F (-29°C).
- Rated in accordance with AHRI Standards 210/240 (04-06 sizes) and 340/360 (07 size)
- Designed in accordance with Underwriters' Laboratories Standard UL 60335-1 and UL 60335-2-40
- Listed by UL and CUL-Canada

### MAINTENANCE FEATURES

- Large access panels with easy grip handles
- Innovative, easy starting, no-strip screw feature on unit access panels
- Two-inch disposable return air filters
- Tool-less filter access door
- New central terminal board facilitating simple safety circuit troubleshooting and simplified control box arrangement

### INSTALLATION FEATURES

- Field Convertible from vertical to horizontal airflow on all models. No special kit required.
- Provisions for thru-the-bottom power entry capability
- Single point gas and electric connections
- Full perimeter base rail with built-in rigging adapters and fork truck slots
- Two stage cooling thermostats required on 07 size to help provide energy saving and comfort benefits.

### STANDARD LIMITED PARTS WARRANTY

- 10-year heat exchanger - Aluminized
- 15-year heat exchanger - Stainless Steel
- 10-year heat exchanger - Ultra/Low NOx models
- 5-year compressor parts
- 3-year SystemVu™ controller
- 1-year parts

### AVAILABLE OPTIONS:

- Patented Humidi-MiZer® adaptive dehumidification system. This option also includes Low Ambient controls
- Through the base connections for gas and electric available as option
- Stainless steel gas heat exchanger includes tubes, vestibule plate and collector box. Stainless Steel Heat Exchangers are standard on all Low NOx and Ultra Low NOx models.
- Disconnect and convenience outlet options
- Medium and High static motor options
- Smoke detector, supply and/or return air
- Corrosion resistant options for evaporator and condenser coils
- CO2 Sensor
- Phase Monitor Protection
- 4" MERV-13 Filters
- 2-position damper
- Hinged access panels
- Integrated economizer system. Low and ULTRA Low Leak versions.
- Condensate overflow switch
- SystemVu Controls

**Spec Sheet for 3T 460V R454B**

Project: RTU Submittals 460V  
Prepared By:

07/17/2025  
02:33PM